

## EP.N5100 Active Network Control Panel

### HIGH PERFORMANCE

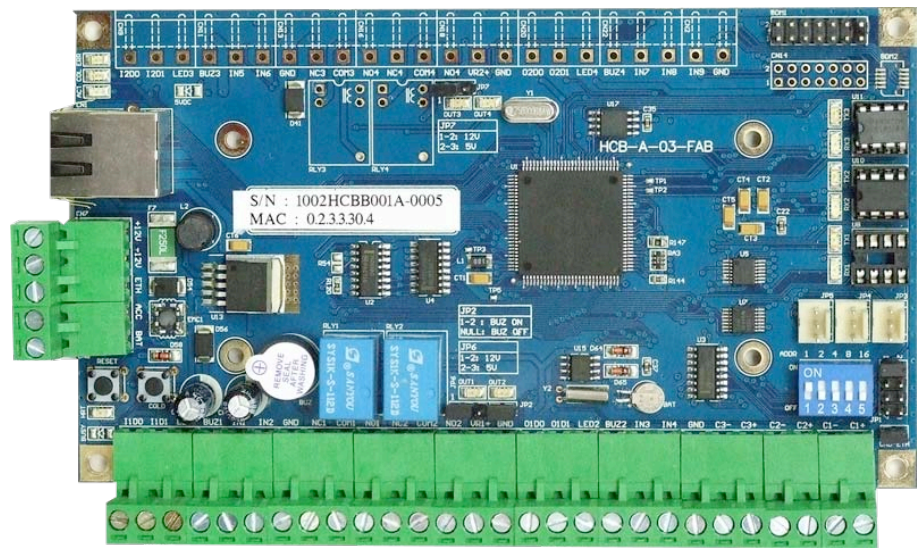
Based on the latest HCB (Hybrid Compact Board), N5100 is a high reliability, high efficiency and highly integrated intelligent multi-application control panel targeted for physical access control industry. It features a 32bits Freescale ColdFire microcontroller running at 60MHz, this control panel can fulfill most demanding requirement in physical access control environment.

### ACTIVE TRANSMISSION

Rather than keeping the event transaction in the memory awaiting for the host server to poll, HCB based network control panel actively transmit the event back as it occurred. This asynchronous communication also reduces the bandwidth requirement significantly when operates over the network.

### DOOR INTERLOCKING

2 In doors interlocking within the controller, no external wiring is needed. Cross-board interlocking is achievable by checking the interlocking signal coming from second control panel before granting the accessibility to the local control panel.



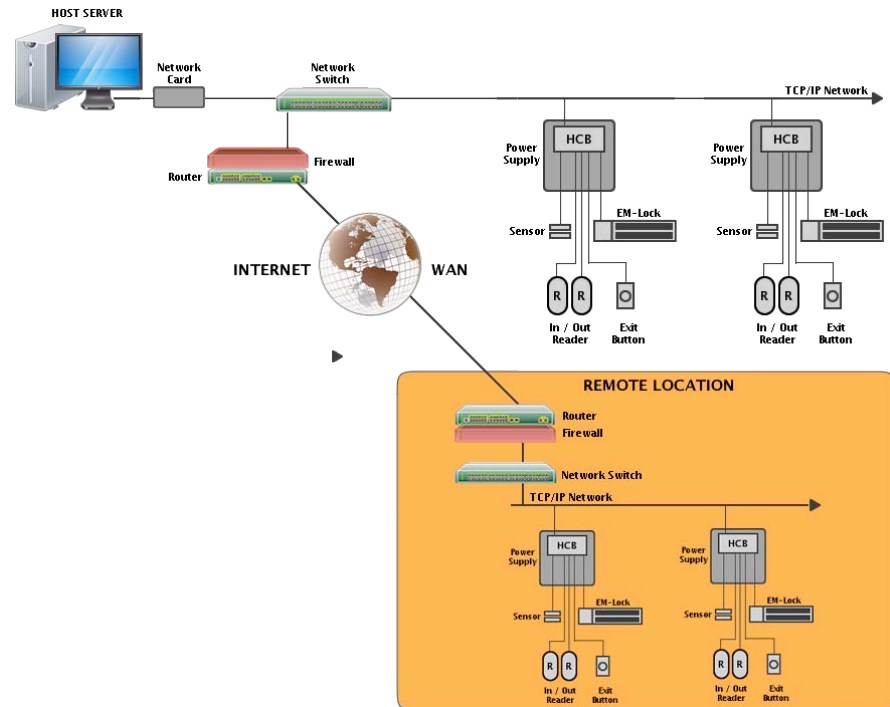
- Support Single / 2-In doors
- Support Car Park Mode
- Compatible with various reader technologies
- ActiveTransmit & ActiveDownload
- Peer To Peer Global Anti-Passback
- Configurable Digital / Supervised inputs (4)
- Quick Terminal Plug-in Connectors
- Firmware Upgrade via Server
- Reader Output Control
- Onboard & Cross-Board Door Interlocking

### Ordering Information

**EP.N5100.PCB**  
**EP.N5100.PSU**

Entrypass 2 Readers Network Door Control Panel Only  
Entrypass 2 Readers Network Door Control Panel with Power Supply Unit

## Basic System Diagram



### ACCESSORIES



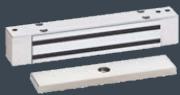
Biometrics Reader



RFID Reader



Magnetic Sensor



EM Lock

### Technical Specification

MCU	32bits @ 60MHz
Memory	<ul style="list-style-type: none"> <li>• 256K Flash Memory</li> <li>• 32K SRAM (Buffer)</li> <li>• 32Mbits Non-Volatile SPI Flash Memory (Storage)</li> </ul>
Card holder	3,000
Event Transaction	10,000
Digital/Supervise Inputs	Max. 4, User configurable (Door Sensor / Request-To-Exit / Fire Input / General Purpose)
Digital Output	Max. 2 Dry contact Relay
Network Communication Port	1 - RJ-45 Self-Negotiate 10/100mbps
Power Protection	Resettable Fuse - 2.5A
Surge Protection	TVS - Up to 15KVA
Onboard LED Control	Power / Communication / LAN / Event / Error
AC Fail Monitoring	Yes
Battery Monitoring	Yes (Firmware threshold control to shutdown control panel)
External Short Circuit Protection	At readers
Backup Battery	Yes, Apply to RTC only

### ENTRYPASS CORPORATION SDN BHD

Tel : +60-3-8068 1929

Fax : +60-3-8068 1922

www.entrypass.net

40, Jalan TPP 1 / 10, Taman Industri Puchong,

Bt. 12, Jalan Puchong, 47100 Puchong,

Selangor Darul Ehsan, Malaysia